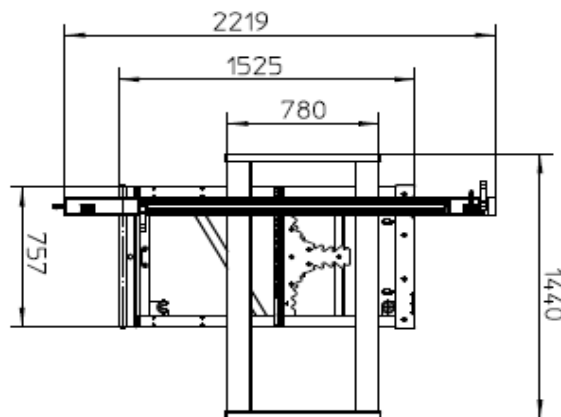


**Outrigger tables for Z Series**

**Z5 type outrigger table**

On machine type

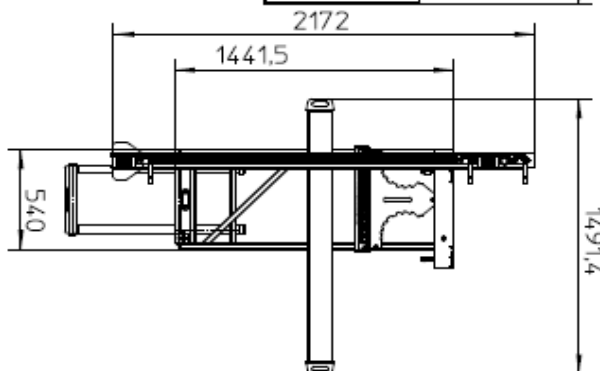
Z500 Standard	Z 500
Z5COMFPACK	Z 400



Options Z Series  
panel saws

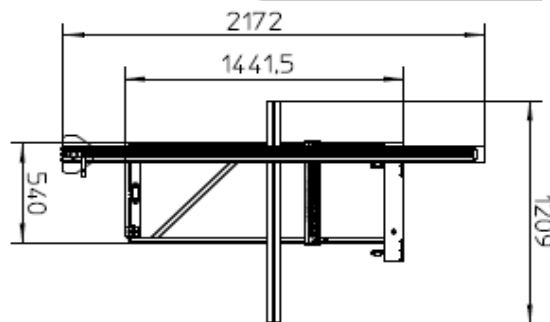
**Z4 comfort type outrigger table**

Z4COMFPACK	Z 400
CZ34COMFPACK	CZ Series



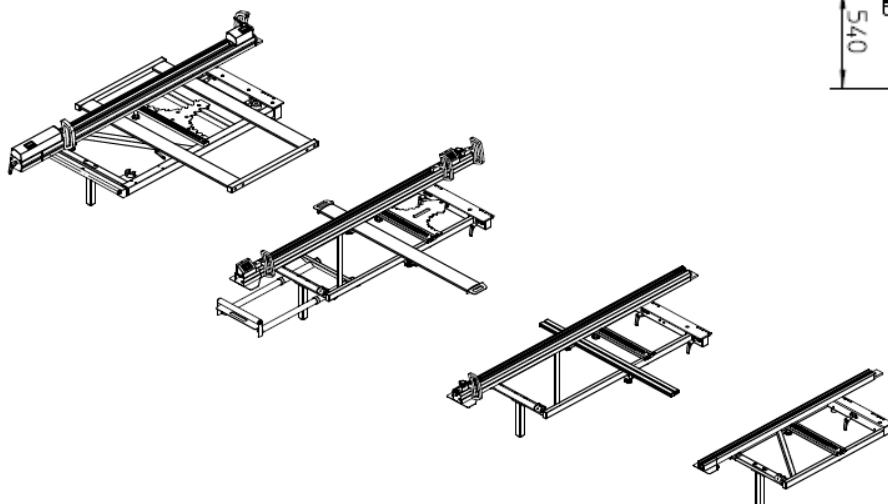
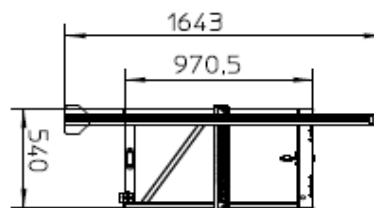
**Z4 type outrigger table**

Z400 Standard	Z 400
CZ34AFKORTPACK	CZ Series



**Z3 type outrigger table**

Z300 Standard	CZ / FZ
---------------	---------



Mentioned prices of options and accessories are valid if ordered on the machine. For prices as a spare part, please contact Robland.

Changes possible without notice